

# T 158-8P5R33.311 6x6.1R

# AGRICULTURE

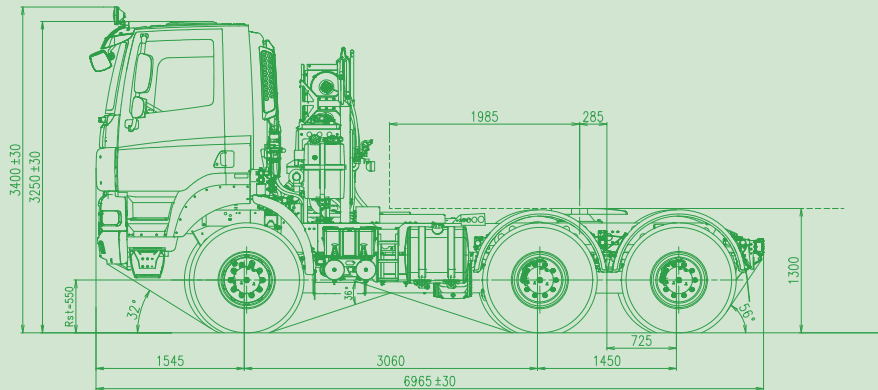


## 6x6 AGRICULTURAL TRUCK TRACTOR

The unique TATRA design makes these trucks ideal for operation in the toughest off-road conditions. Independent swinging half-axes with air suspension provide excellent comfort for drivers as well as for superstructures and transported material. Moreover, when such trucks are used in off-road conditions, they can drive faster than trucks equipped with rigid axles.

As a result, the chassis of the 6x6 TATRA PHOENIX agricultural tractor truck is suitable for agricultural transport both in off-road conditions and on roads or hard surfaces. Efficient performance both on and off road is achieved by powerful and efficient PACCAR MX engine of three different power versions in combination with an automated 16-speed ZF AS Tronic transmission or an automatic six-speed Allison transmission.

The 6x6 agricultural truck tractor with a suitable trailer is capable of significantly increasing productivity in transporting agricultural products and materials, which makes this truck an ideal solution for agricultural companies with larger fields or where the transportation capacity exceeds the capacity of the agricultural machinery they use. As this truck tractor transports faster, it is suitable for products where the final quality depends on how fast these products are processed. The 6x6 TATRA PHOENIX agricultural truck tractor is equipped with low-pressure tires meeting a requirement for lower pressure on the soil.



FAST TRANSPORTATION

HIGH LOAD CAPACITY

COMFORT FOR DRIVERS

LOW OPERATING COSTS

MAINTAINS SOIL QUALITY

TATRA TAKES YOU FARTHER

THE NEW



# TATRA PHOENIX

tatratrucks.com

# T 158-8P5R33.311 6x6.1R

## 6x6 AGRICULTURAL TRUCK TRACTOR

### ENGINE

Type	Paccar MX EURO 5
No. of cylinders	6
Bore/stroke	130/162 mm
Swept volume	12.9 l
Power	265 kW/1,500-1,900 rpm
- options	300, 340kW/1500-1900 rpm
Torque	1775 Nm/1000-1410 rpm
- options (depending on power)	2,000, 2,300 Nm/1,000-1,410 rpm
Exhaust fumes system	SCR

### CLUTCH/TORQUE CONVERTER

Single-plate dry Sachs 430 clutch - for ZF transmissions  
Hydrodynamic torque converter - part of Allison automatic transmission

### TRANSMISSION

ZF 16S 2530, 16-gear manual transmission  
Options:  
- ZF 16AS 2630 AS-Tronic, 16-gear automated transmission  
- Allison 4500, automatic, 6 gears  
All transmission types can be equipped with a built-in retarder as an option.

### TRANSFER CASE

Two-speed TATRA 2.30 TRK transfer case, engageable at standstill

### PTOs

Options:  
- from engine  
- from transmission  
- from transfer case  
Number and version of PTOs depends on the configuration of the engine, transmission and use of retarder, if applicable.

### FRONT AXLE

Steered, driven with swinging half-axles, hub reductions, engageable drive, axle differential, suspension - air bellows and telescopic shock absorbers, anti-roll bar

### REAR AXLES

Driven, with swinging half-axles, hub reductions, interaxle differential, axle differentials, suspension - air bellows combined with coil springs, anti-roll bar fitted to the first rear axle  
Option: steerable last rear axle with electro-hydraulic control system up to speed of 40 kmph

### STEERING

Left-hand steering

### BRAKES

Four independent brake systems:  
- service  
- emergency  
- parking  
- engine; MX Engine Brake, integrated compression release brake as an option

### WHEELS

Tires	- front axle	500/60 R22.5
	- rear axles	600/50 R22.5
Discs	- front axle	15.00x22.5
	- rear axle	20.00x22.5

Automatic CTIS

### CAB

COE, short, two seats, dependant heating  
ROPS/FOPS cab as an option

### TANKS

Fuel	2x220 l
AdBlue	45 l

### DIMENSIONS

Width	2,600 mm
Length (to rear lights)	6,965 mm
Height (to cab roof)	3,250 mm
Ground clearance	325 mm

### WEIGHT

Curb weight	11,150 kg	
Of that:	- on front axle	6,650 kg
	- on rear axle	2 x 2,250 kg
Gross vehicle weight	24,250 kg	
Gross combination weight	48,000 kg	

### ELECTRIC EQUIPMENT

Voltage	24 V
Battery	2x180 Ah
- option	2x225 Ah
Alternator	28V/80 A
- option	28V/110 A

### VEHICLE PERFORMANCE

Top speed	65 kmph
-----------	---------

### STANDARD AND OPTIONAL EQUIPMENT

- high adjustable rear hook
- 2" fifth wheel
- front part of the vehicle adapted for installation of tools and devices
- complete circuit of the trailer hydraulic system as an option
- hydraulic outlet both in the front and the rear of the vehicle as an option



### TATRA TRUCKS a.s.

Areál Tatra 1450/1, 742 21 Kopřivnice, Czech Republic  
tel.: + 420 556 494 966, fax: + 420 556 494 304, e-mail: ou@tatra.cz

tatratrucks.com